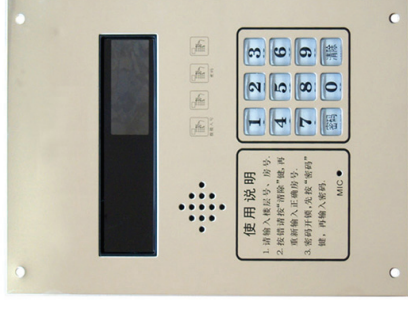


USER MANUAL

For 2-Wire Digital Audio System

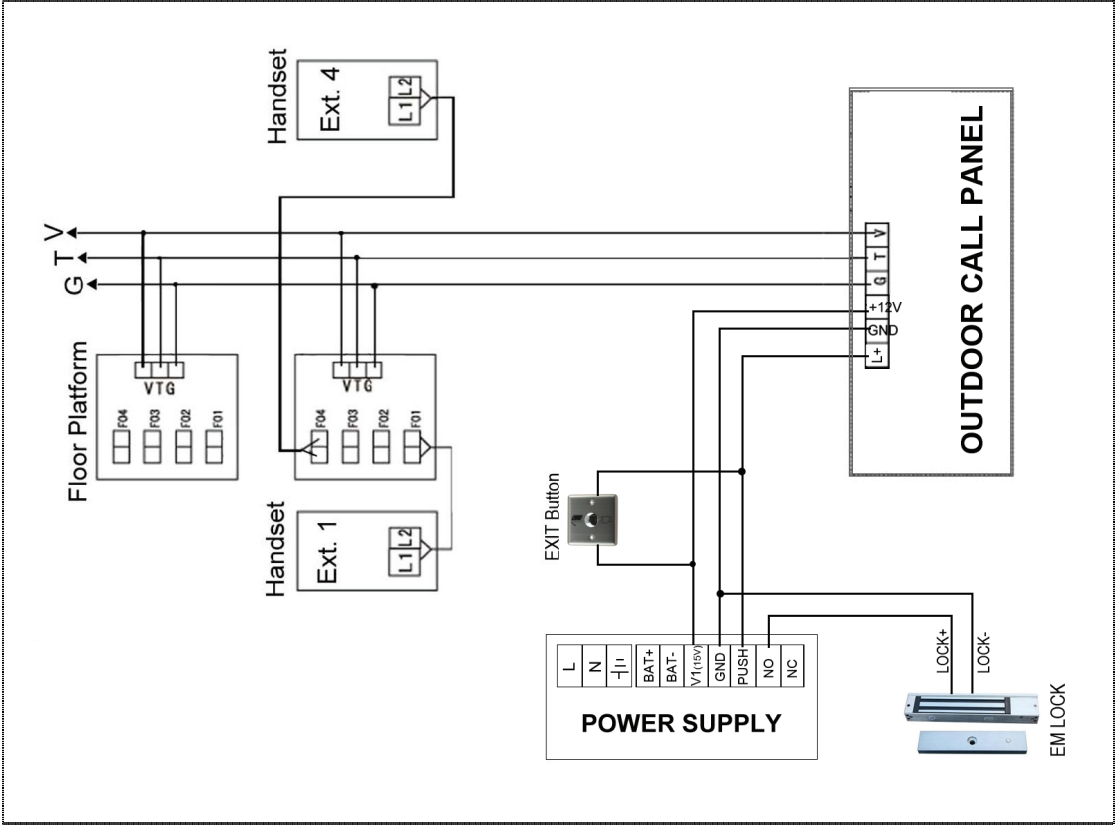


Thanks for choosing our home intelligent products.

To assure the best performances, please read this manual carefully!

VIII. System Wiring Diagram

Below Wiring diagram is a Single System. If need Network system, welcome to contact our Agents, Distributors or Sales for more details.



**18	XXXX (Free Room N.O.)	Searching Physical Address Room N.O.	Searching Physical Address Room N.O.
19		Factory Default	Factory Default **02~11 setting
**21	000X	Network	0-- Common 1-- Network

Remarks: After setting successfully, press “#” Key to Save and Exit.

Special Part for Remote Control Instruction

Enter Programming state: Press 1234CALL

Increase Card: Press 1CALL, Green light flash continuously, and now swipe RFID keys one by one to add new users.

Delete Card: Press 3CALL, Red light flash continuously, and now swipe RFID keys one by one to delete users.

Add RFID Key N.O.: Press 0XXXXXXXXXXXX. (XXXXXXXXXXXX stands RFID Key N.O.)

Delete RFID Key N.O.: Press 2XXXXXXXXXXXX. (XXXXXXXXXXXX stands RFID Key N.O.)

Door Normally Open (NO): Press 5CALL, then save and exit system automatically.

Door Normally Close (NC): Press 6CALL, then save and exit system automatically.

Door Open One time: Press 7CALL, then door open and exit system automatically.

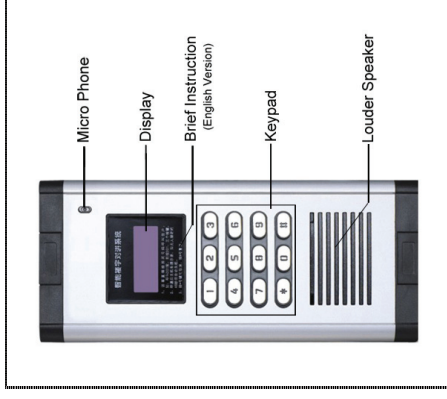
Change Passwords: Press 8XXXXCALL. (XXXX stands for new 4 Digits passwords)

EXIT System: Press EXIT Button or no Operations in 10 Seconds

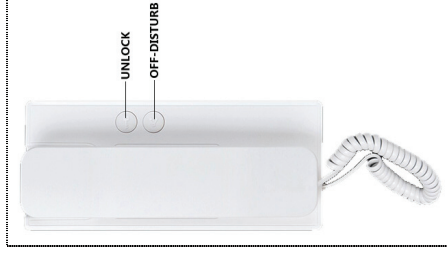
I. Brief Introductions (Features)

1. SCM Control, Nine Decoding ways for Floor Platform. Suitable for different Building Constructions.
2. Control Parameters are adjustable via Outdoor Station keypad.
3. Passwords Access Control. Public or Individual Passwords Unlock mode.
4. Compatible for both Common and Network system.
5. 2-wire None-Polar Line for Indoor Phone. Failure Isolation.

II. Outlook & Introduction



(Picture 1 - Outdoor Station)



(Picture 2 - Indoor Handset)

III. The Operation of Door Station

1. CALL INDOOR PHONES

Press Room Number (3 or 4 Digits) on Door Station to call Indoor User(s).

Press “#” to Cancel, and Redial.

Bidirectional Audio Intercom when User(s) Pick up.

2. OFF-DISTURB FUNCTION

When at night, or under some special occasions don't like to Answer phone, or hear Call Ring. Users could Press the OFF-DISTURB Button to SWITCH OFF/ON.

3. PASSWORDS UNLOCK

(1) Individual Passwords Mode

Input "*" + "3 or 4 Digits Room N.O." + "Individual Passwords" to Unlock.

If Room NO. & Passwords right, Display "GOOD" and unlock successfully.

If Passwords are wrong, it will display "E03" .

4. CONTROL PARAMETERS ADJUST

Please refer the following part <<Outdoor Station Parameters Setting>>

IV. The Operation of Indoor Phones

1. AUDIO INTERCOM

When there is a Ring, user(s) can Pick Up the phone to have Bidirectional Audio Intercom. Hand up Handset to end Conversation.

2. UNLOCK

During the Conversation, User(s) could press "UNLOCK" to Release the Door. Caller (Guest) Pull Door and come in. System will auto back to standby state.

3. EMERGENCY CALL (For Network System Only)

When Standby, press "CALL" button to call Management Center Person directly if under any Emergency Situations.

**06	0XXX	Change Waiting Time after Rings	001 ~ 255 s (Default 1s)
**07	0XXX	Unlock Delay Time	001 ~ 255 (Per 0.2s) (Default is 5, means 1s)
**08	0XXX	Change Waiting Time after Unlock	001 ~ 255 s (Default 20s)
**09	000X	Standby Display	0~9 (Default 1) 0 means Close
**10	000X	Pickup Display	0~1(Default 1) 0 means Close
**11	0XXX	Alarm Time	001 ~ 255 s (Default 000)
**12	0XXX (Room N.O) XXXX (Passwords)	Change Users' Individual Passwords	000~798 (Room N.O.) 0000~9999 (Passwords) Passwords "0000" Means Cancel
**13	XXXXXXXX	Eight Digits Public Unlock Passwords	Passwords "00000000" Means Cancel
**15	YXXX (Platform Address)	Free Coding of Physical Room Number	Please refer <<FREE CODING OF ROOM NUMBER>>
**16	000X	Dial number digits	0~4 (Default 3)

E05	Room Number Error	E11	N/O
E06	Call Forbidden	FXXX	Input Wrong Passwords 3 Times, Keypad Unlock Countdown

Parameters Setting

For Safety consideration, Management Passwords (Factory Default 2098) are required to put in before Enter Parameters Setting Mode.

Enter Parameters Setting Model

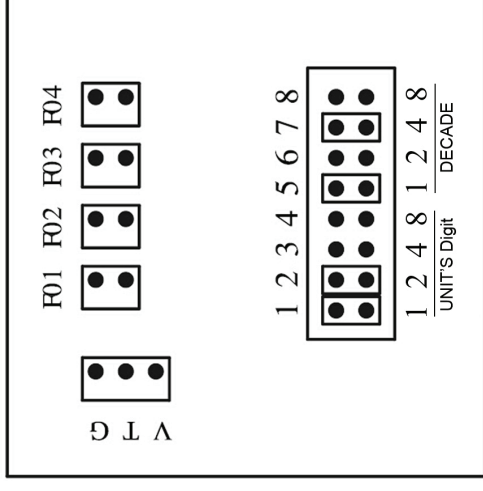
1. Under Standby State, press “**00” , the Outdoor station will show “- - - -” .
2. Then Input Management Passwords (Factory Default 2098).
3. With a Long sound of “Di” , the Outdoor station will show “0000” .
4. This means User(s) now can Change the Parameters now.

Parameters Setting Instruction

COMMANDS	NUMBER CODE	INSTRUCTION	Remarks
**01	XXXX	Change Management Passwords	Four Digits Number
**02	000X	Change Floor Platform Coding Model	Valid Number (1, 2, 3, 4, 5, 6, 7, 8, 9, 0). Factory Default is 3
**03	0XXX	Change Rings Time	001 ~ 255 s (Default 60s)
**04	0XXX	Change Talk Time	001 ~ 255 s (Default 120s)
**05	000X	Rings Type	0--9 (Default 0)

V. FLOOR PLATFORM SETTING

There are 9 Modes of Floor Platform Coding. For range 0001 to 9999, we suggest to use the FREE CODING Model. (Model 0).



(Picture 3)

INSTRUCTIONS

There are 8 Pins indicated by 1-8 (As above Picture 3). When the Terminal is Short Connected by Pin Cap, then it stands for the Number Below.

1. The pins from 1 to 4 stand for Unit' s Digits. The Pins from 5 to 8 stand for

Decade Digits. Below is a table for References

Pin N.O.	1	2	3	4	5	6	7	8
Number Stands	1	2	4	8	1x10	2x10	8x10	8x10

So, the Above Floor Platform stands for Floor 53. (1+2+10+40= 53)

Detail Floor Number platform, please refer to the <<Floor Platform Code Table>>

VI. DEFAULT ROOM NUMBER CALCULATION

Under Floor Platform Coding **Mode 0 (Free Coding)**, the Full Room Number is Four Digits. The First 2 Digits stand for Floor Number and the 3rd and 4th Digits stands for Room Number.

Under this CODING MODE, Room Number could change to any 4 Digits Room Numbers you like. (Not allow repeat)

Default physical address Range is 0101~9904; Free Coding Range is 0001 to 9999.

For example, in the above Picture 3

1. The Floor Number is 53. (1+2+10+40= 53)
2. The Physical address Room N.O. from F01~F04 are 1, 2, 3 and 4 accordingly.
3. The Full Physical Room N.O. for F01~F04 are 5301, 5302, 5303 and 5304.

FREE CODING OF ROOM NUMBER (INSTRUCTION)

Under FREE CODING Mode, Physical address Room Number could be changed to other required Room Number freely. (Not allow Room Number repeat)

Change Platform Coding Mode & Room N.O. Digits

5. Under Standby State, press “**00”, the Outdoor station will show “- - - -”.
6. Then Input Management Passwords (Factory Default 2098).
7. With a Long sound of “Di”, the Outdoor station will show “0000”.
8. Press “**02”, Display “**0X”, change to “**00”.
9. Press “**16”, display “**0X”, change to “**04”.
10. Press “#” to save changes and EXIT.

Change Physical address Room N.O. to Free Room N.O. Instruction

1. Under Standby State, press “**00”, the Outdoor station will show “- - - -”.
 2. Then Input Management Passwords (Factory Default 2098).
 3. With a Long sound of “Di”, the Outdoor station will show “0000”.
 4. Press “**15”, Display “YXXX”. First X X digits stand for Flat Physical Address N.O. (Range from 01~99). And the last X stands for Room Number.
 5. Then, Input the Physical Room N.O. needs change, press “*”, display “XX0X”
- For example, if need change Physical Room N.O. 2004 into 9999.**

Here Input “204”, display “Y204”, press “”, then display “2004”*

6. Input the Free Coding Room N.O. you would like to change. If don't want to change, Press “*” to next Physical Room N.O. or press “#” to EXIT.

Here Input “9999”, then Press “#” to SAVE change

At last, Physical Room N.O. “2004” has been successfully changed to “9999”.

When you Call “9999” now, the 20th Floor, and the 4th Room would ringing.

Any other Physical Room Numbers could be changed freely the same way.

VII. Outdoor Station Parameters Setting

Error Code Instruction

Error Code	Instruction	Error Code	Instruction
E01	Time Out	E07	Phone or Bus Open Circuit
E02	Command Error	E08	Phone or Bus Short Circuit
E03	Passwords Error	E09	Room N.O. out of Range
E04	Input Number Out of Range	E10	Room Number Setting Repeat