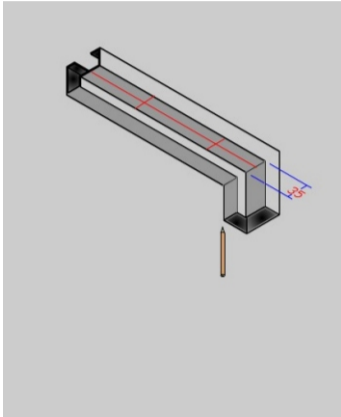


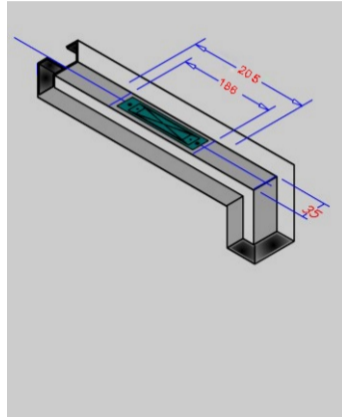


# Installation of frameless glass door

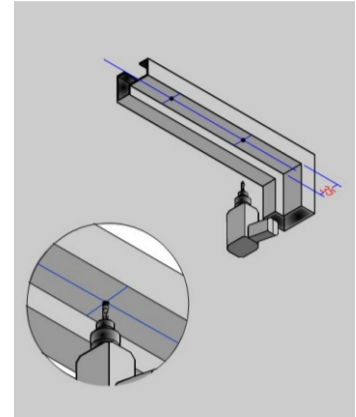
**Installation instructions** Please check the instruction about the details of installation and corresponding model. The following can only be a reference.



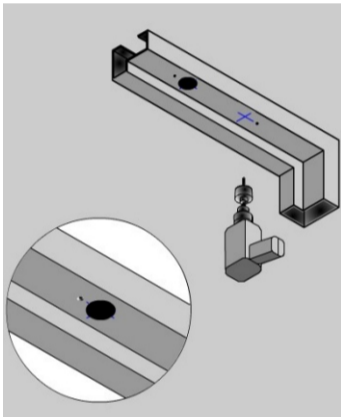
1. Mark doorframe center line



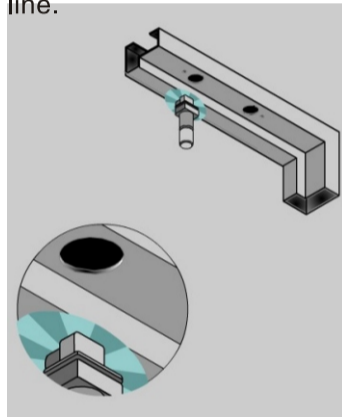
2. Place lock body template to match with doorframe center line.



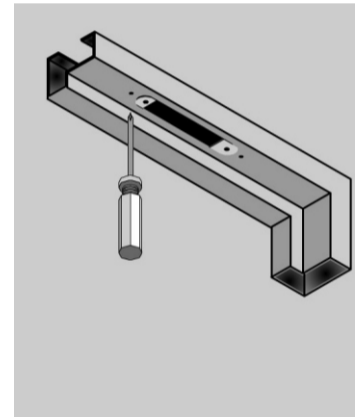
3. Mark holes position



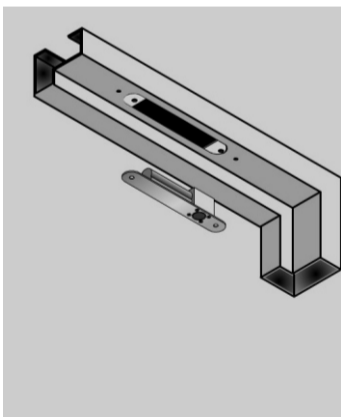
4. Position the hole.



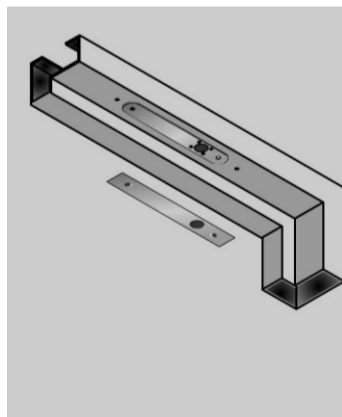
5. Cut holes for screws of the lock body and magnetism plate.



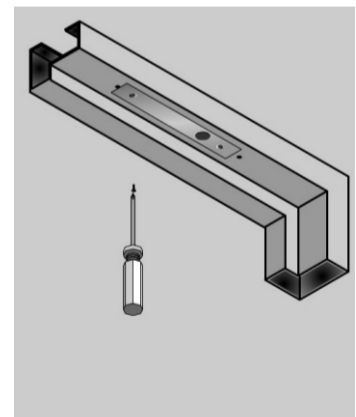
6. Fix fixing lugs



7. Fix the electric bolt on the doorframe, connect it to power it and test.



8. Fix the protective plate on the doorframe to protect the electric bolt.

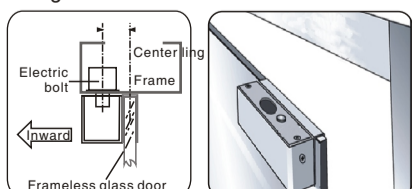


9. End

## Optional bracket

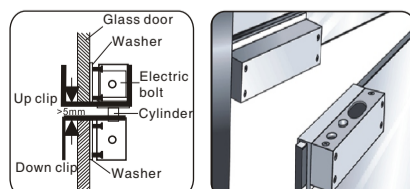
### Frameless glass door

Frameless glass door suitable for 10-15mm glass door ABK-600/601/602 are for frameless glass door.



### Frameless glass door

ABK-700 is for frameless glass door



### Inswing narrow frame door

ABK-500 is for narrow frame door.

