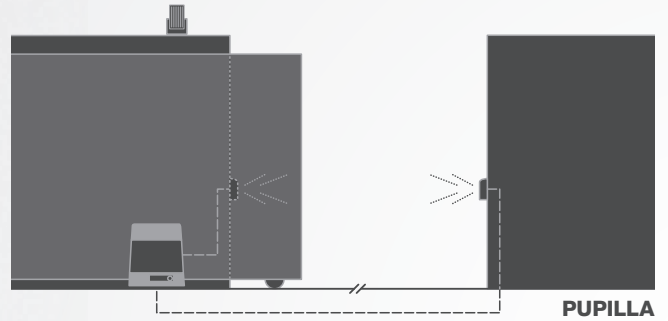
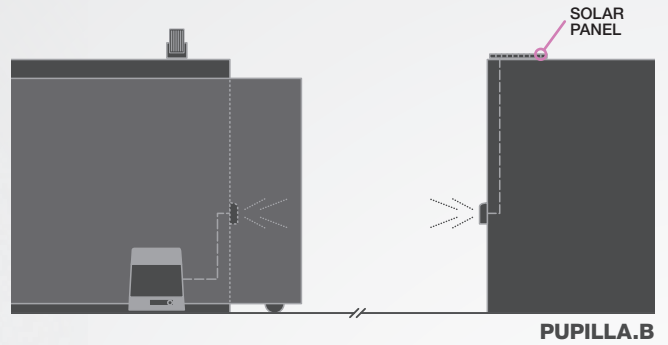




PHOTOCELLS

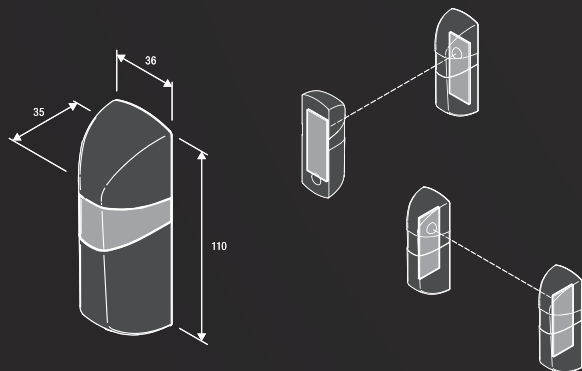
DETECTION AND SAFETY DEVICES



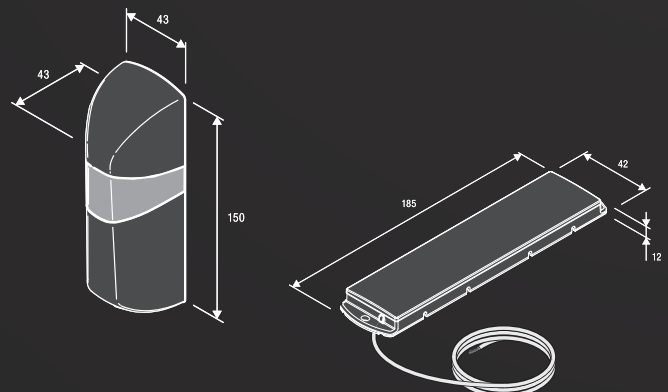
PUPILLA.B

- Photocell's transmitter powered by battery
- The innovative battery charging system using a photovoltaic panel represents an authentic novelty distinguishing PUPILLA.B, guaranteeing maximum safety and perfect operation to any plant
- Possibility of connecting up to 2 photovoltaic panels in case of non optimal climate conditions
- Continuous operation without any need of maintenance
- PUPILLA.B allows compliance with safety regulations even on installations that do not have incorporated safety systems thanks to the transmission of the controls even on moving gates
- The photocells can be oriented in different directions to make installation even easier

■ PUPILLA



■ PUPILLA.B



Rotation through 180° allows the alignment of the photocells irrespective of the way they are fixed to the base



PUPILLA.B

9409006

Pair of externally fitted photocells, turning through 220° C. Photovoltaic panel to charge transmitter battery. With of led with diagnostic function.



PUPILLA / PUPILLA.F

9409001

9409007

24 Vac/dc synchronize of surface mounting photocell with 180° rotation beam. (110X36X31mm) It is possible to synchronised up to 4 couple of photocells. A led makes the centring of the beam easy and fast.

PUPILLA.F: Pair of fixed photocells for external fitting.



FTC.S

9409089

24 Vac/dc synchronize surface mounting photocell. It is possible to synchronised up to 4 couple of photocells. They can be fitted also on COL05N, COL10N and COL12N aluminium columns.



SC.P30QIS

9409028

24 Vac/dc synchronize flush mounting photocell. It is possible to synchronised up to 4 couple of photocells.

SC.PD not included.

 **MADE IN ITALY**

AUTOMATISMI BENINCA SpA • via del Capitello, 45 • 36066 Sandrigo (VI) ITALY • T +39 0444 751030 • F +39 0444 759728 • sales@beninca.it

ACCESSORIES



SF

9830009

Lateral support for FTC.S photocells.

2 pcs packing.



SC.PD

9252010

Plastic container for recess SC.P30QIS.

2 pcs packing.